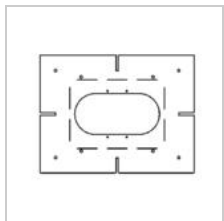
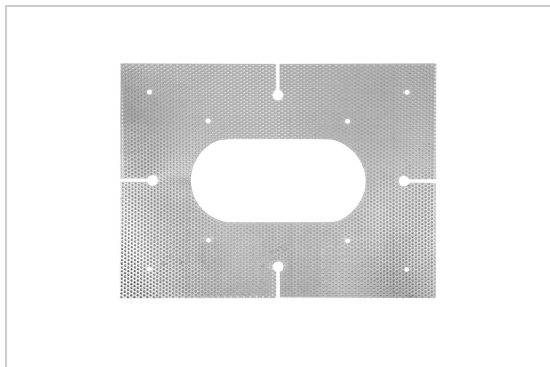


PLASTERKIT

S7.70/..
plasterkit



Project _____

Type _____

Nota _____

Quantity _____

Date _____

Physical

Use type	Interior
Fixation type	Ceiling
Type of opening	Round
Aperture dimensions	2xØ70 mm
Dimensions fixture	225x300 mm
PLASTERKIT	L225xB300 mm
IP protection rating	IP20
Weight	0,1068 kg

Electrical



Groendreef 60, 9880 Aalter, Belgium
T +32 9 374 19 51 - info@psmlighting.be
www.psmlighting.be

Project _____
Type _____
Nota _____
Quantity _____
Date _____

PLASTERKIT

S7.70/..
plasterkit

Colours

no colour

S7.70

Options

S12/.. built-in box - to combine with S7.65 - S7.65V - S7.70 - S7.80 - S7.87 - S7.90 BOX

TWIN70/.. built-in base for cassette - square Ø70 SYSTEM
